



# 40W (1/18.5 HP)

**TORQUE MOTORS** Frame size 90mm sq. (3.54 in. sq.)

Single-Phase

LEAD WIRE TYPE

## SPECIFICATIONS

INSULATION CLASS A or E, 4POLES

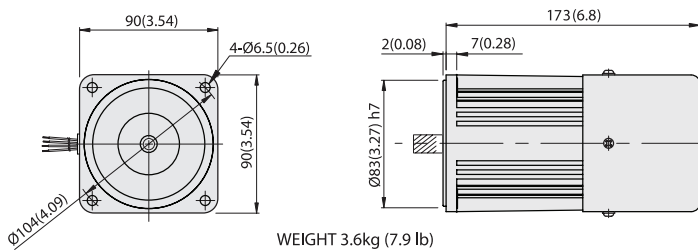
Model	Rating At Locked Rotor	Voltage (V)	Frequency (Hz)	Maximum Output (W)	At Maximum Output				Speed (rpm)	Starting Torque			Capacitor (μF)
					Current (A)	Torque (kg-cm, N-m, oz-in)		Starting Torque (kg-cm, N-m, oz-in)					
L9T40□C	5 MIN. CONT.	1∅100	50	40	1.98	5.2	0.510	72.21	750	6.4	0.627	88.88	30
	CONT.	1∅60		15	0.98	1.95	0.191	27.08		2.8	0.274	38.88	
L9T40□B	5 MIN. CONT.	1∅100	60	46	1.88	5	0.490	69.43	900	7.7	0.755	106.93	30
	CONT.	1∅60		17	1.12	1.84	0.180	25.55		3.5	0.343	48.60	
L9T40□E	5 MIN. CONT.	1∅220	60	46	0.90	5	0.490	69.43	900	7.7	0.755	106.93	6
	CONT.	1∅140		17	0.56	1.84	0.180	25.55		3.5	0.343	48.60	
L9T40□E	5 MIN. CONT.	1∅115	60	50	1.95	5.4	0.529	74.99	900	8.2	0.804	113.87	30
	CONT.	1∅60		17	0.56	1.84	0.180	25.55		3.5	0.343	48.60	
L9T40□X	5 MIN. CONT.	1∅220	50	40	0.95	5.2	0.510	72.21	750	6.4	0.627	88.88	6
	CONT.	1∅140		15	0.49	1.95	0.191	27.08		2.8	0.274	38.88	

\* Model in grey screen represents the motors with THERMALLY PROTECTED according to UL regulation.  
 \* Model in dark grey screen represents the motors with THERMALLY PROTECTED according to CE regulation.  
 \* Insulation class for motors which acquire certificates for export is B.

## DIMENSIONS

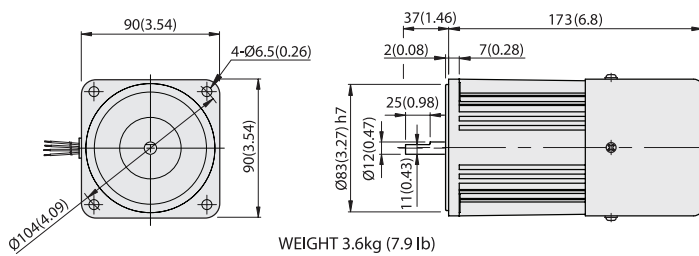
### L9T40P□H

Unit : mm(inch)



WEIGHT 3.6kg (7.9 lb)

### L9T40D□L

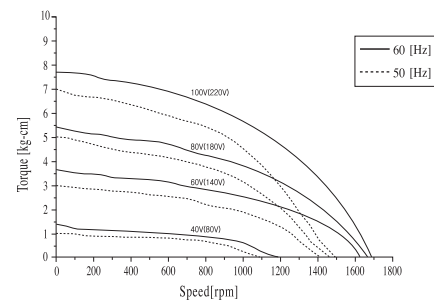


WEIGHT 3.6kg (7.9 lb)

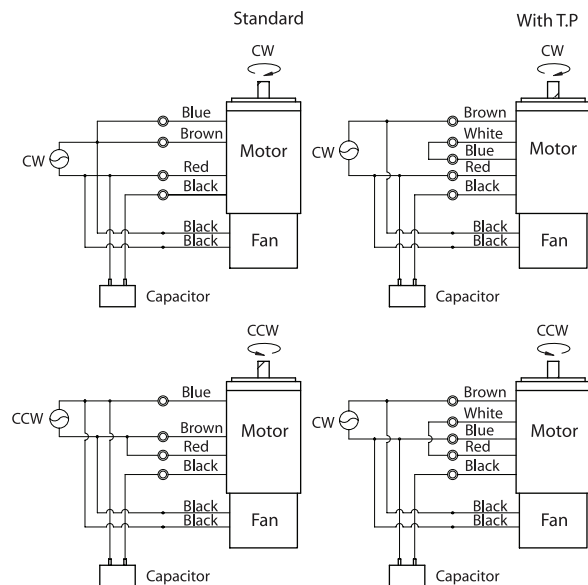


## SPEED-TORQUE CURVE

Single phase L9T40□□



## CONNECTION DIAGRAMS (3-lead wire type)



The direction of rotation is seen from the end of motor shaft.

TORQUE MOTORS